

TAKSTAR® 得胜



E300W 便携式无线扩音器
Portable Wireless Amplifier

■ 前言

尊敬的用户：

感谢您选购得胜E300W便携式无线扩音器，为了您能够更好的了解使用本产品，建议您在使用前仔细阅读本说明书。

若存在有疑问或者您有宝贵的建议，可通过拨打得胜官方服务热线 400 6828 333 或微信扫描二维码关注得胜官方公众号与我们联系。



■ 产品特性

- 1.一款便携式无线扩音器，适用于教学、导游、培训、促销等场合；
- 2.采用UHF无线传输技术,在无干扰、无障碍物的环境下使用传输距离约40米；
- 3.头戴麦克风可调频，40个精选频道，支持高低功率切换，可多套扩音器同时使用；
- 4.配套无线头戴麦克风，小巧轻便，佩戴无负重感，满足长时间佩戴需要；
- 5.选用稀土材质扬声器，重量轻、音质好、声音大；
- 6.具有无线播放功能，连接手机、电脑、PAD等设备播放音乐；
- 7.支持插TF卡，具有音乐播放功能，可播放MP3、WAV音频格式文件；
- 8.具有录音功能，可录制存储WAV格式的音频文件；
- 9.FM收音机功能，自动搜台保存，可保存50个频道；
- 10.主机内置大容量锂离子电池，使用时间可达13小时左右。

■ 包装清单

主机（扩音器）	1台
发射器（头戴麦克风）	1台
充电线.....	1条
肩带.....	1条
使用手册.....	1份

■ 适用范围

适用于教学、导游、培训、促销、宣传、晨练、娱乐等场合扩音

■ 技术参数

主机（扩音器）：

频率响应：80Hz-12kHz

峰值功率：10W

扬声器阻抗：4Ω

UHF频率：630MHz-890MHz（分段）

UHF使用距离：空旷地带40米

媒体播放：TF卡，支持64G及以下

媒体格式：MP3、WAV

电池类型：锂离子电池

电池规格：3.7V=2500mAh

充电规格：USB 5V=1000mA

充电时间：约2.5小时

使用时间：13小时左右

单机重量：约200g

产品规格：113*84*44mm

发射器（头戴麦克风）：

拾音器：背极式驻极体

指向性：单指向

频率响应：60Hz-16kHz

灵敏度：-51至-54dB

(0db=1V/Pa/m at 1kHz)

UHF频率：630MHz-890MHz（分段）

UHF使用距离：空旷地带40米

电池类型：锂离子电池

电池容量：3.7V=400mAh

充电规格：USB 5V=200mA

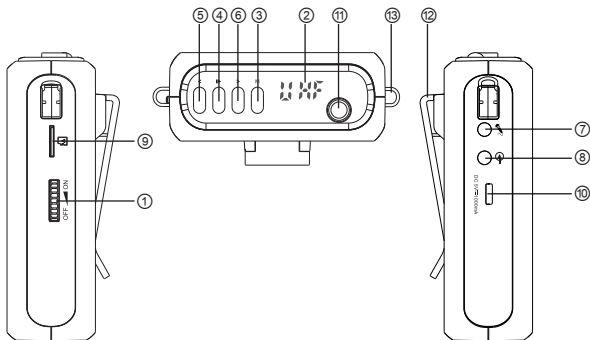
充电时间：约2.5小时

使用时间：约5小时

单机重量：约39g

注：以上数据由得胜实验室测得并拥有最终解释权。

■ 功能示意



①电源开关：向“ON”方向拨动旋钮，听到“哒”一声，同时LED数码显示屏出现“UHF”，表示扩音器已通电并进入人声扩音状态，继续向上拨动旋钮声音增大，反方向“OFF”方向拨动则声音减小直至听到“哒”的一声关机；

②LED数码显示屏：显示当前的工作模式及电池电量；有四种工作模式，显示“bLUE”时为蓝牙模式、“TF”为TF卡模式、“FM”为收音模式、“AUX”为音频输入模式。“ ”为电池电量符号，当电池电量充足时，电量符号不显示；当电量符号闪烁时，表示电池电量较低，需及时充电；15分钟后无任何操作时，显示屏出现“— — — —”符号，表示扩音器进入待机状态，按任意键即可唤醒；

③“M”模式切换按键：开机状态下，短按该按键可切换工作模式，并有相应的语音提示。当接入AUX音源或插TF卡时，以音频输入模式或插卡模式为优先，当拔掉AUX音源或退出TF卡时，跳转到下一个工作模式；在插有TF卡及接通麦克风的情况下，长按此键出现“REC”符号，进入录音模式，并语音提示“录音模式”。

录音过程显示屏“00:00”数值变动，表示录音时长，录制完成时长按此键可退出并保存录音。退出录音模式后，会自动循环播放刚才的录音；

④ “▶”播放/暂停按键：在蓝牙、TF卡模式下，短按此键可控制播放与暂停；在收音、音频输入模式下，短按此键可静音。在蓝牙播放时，长按此键可以断开蓝牙连接，并语音提示“蓝牙已断开”，在TF卡模式下播放音乐时，长按此键出现“(1)”单曲循环符号，进入单曲循环播放状态，再次长按此键，“(1)”符号消失，退出单曲循环播放；在收音模式下，长按此键进入全自动搜台，搜台过程中频率数值滚动显示，搜台结束后自动定格第一个频道播放。可以搜索保存50个频道以上，具体能保存多少个频道要视周边的电台信号强度而定；

⑤ “◀”上一曲按键：在蓝牙、TF卡播放状态时，短按此键为上一曲；在收音模式下，短按此键可切换上一个频道；

⑥ “▶”下一曲按键：在蓝牙、TF卡播放状态时，短按此键为下一曲；在收音模式下，短按此键可切换下一个频道；

⑦ “🎤”MIC输入接口：将有线麦克风插头插入此孔，进入有线人声扩音状态；

⑧ “🔌”AUX输入接口：通过Ø3.5mm音频连接线与手机、平板、MP3等播放设备连接，可将扩音器做为有源音箱使用；

⑨ “📄”TF卡插槽：根据示意的插卡方向插入TF内存卡。插入时，听到“哒”一声，表示已安装到位；取卡时将卡往下按压，听到“哒”一声，TF内存卡会自动弹出来；

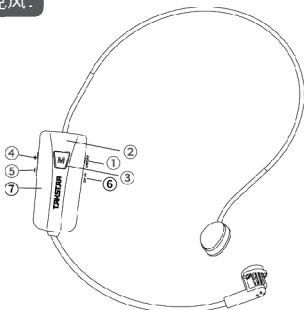
提示：请确保TF卡中储存的是MP3、WAV格式的音频文件，否则不能正常读取歌曲文件甚至有损坏机器的风险；拷入歌曲前请先将TF卡按FAT16、FAT32格式进行格式化，其它方式的格式化（如exFAT、NTFS格式）会导致录音无法保存或者储存的歌曲无法播放。

⑩充电接口：通过Type-C充电线为扩音器充电；

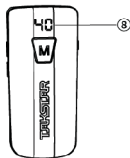
⑪ FM天线：用于增强FM收音信号强度，在收音模式下建议拉出以便得到较好的收音效果；

- ⑫挂扣：用于安装肩带，可将扩音器斜挂于肩上使用；
- ⑬背扣：用于将扩音器扣于腰带或裤腰上使用。

头戴麦克风：



头戴麦克风



显示屏

- ①电源开关：拨动开关至ON时开机，拨开关至OFF时关机；
- ②显示屏：显示工作频道、麦克风音量；
- ③M按键：用于调频操作，详见本说明书的“对频方法”部分；
- ④“+”按键：点按增加麦克风音量；在对频状态下，点按切换上一个频道，长按快速跳转频道；
- ⑤“-”按键：点按减少麦克风音量；在对频状态下，点按切换下一个频道，长按快速跳转频道；
- ⑥充电接口：通过Type-C充电线为无线头戴麦克风充电；
- ⑦电源指示灯：关机未充电时，指示灯熄灭；开机时长亮蓝灯；电量充足时，指示灯常亮蓝灯；电量不足时，闪烁红灯；充电过程中，红灯常亮，充满后红灯灭；
- ⑧工作频道/麦克风音量：默认显示当前工作频道，有“01-40”共40个工作频道；当点按音量+、-键时，则显示音量大小，有“U1-U9”共9级音量，3秒后回复正常数值；10秒后无任何操作，显示屏将自动熄灭；
- ⑨高/低功率切换：同时点击M按键和“-”按键为低功率，同时点击M按键和“+”按键为高功率（低功率无线使用距离在10米左右，高功率无线使用距离在40米左右）。

■ 使用说明

一、对频方法

1. 配对方法

产品出厂时已默认配对好，开机会自动连接，无需配对。如遇有信号干扰，可按下面方法进行重新配对或变频。

①先打开头戴麦克风电源开关，等待显示屏显示频道状态下，然后长按麦克风“M”键5秒，待显示屏上显示转圈状态。此时立刻打开扩音器电源开关，等待头戴麦克风显示屏转圈切换到数字频道，对着麦克风说话有声音，表示配对成功；

②对着头戴麦克风说话没声音，说明配对不成功，请按上面方法重新配对。

2. 变频方法

同时打开扩音器及头戴麦克风电源开关，短按头戴麦克风上的“M”键，显示屏闪烁后点按音量加减键来切换上下频点，长按音量加减键快速切换频点，数码管同步显示对应频道。

3. 多台同时使用的方法

①多台同时使用先按上述第一种“配对方法”重新连接一次后，再进行以下的变频操作；

②多台同时使用时，需要切换不同的频道，以免干扰。

二、蓝牙配对

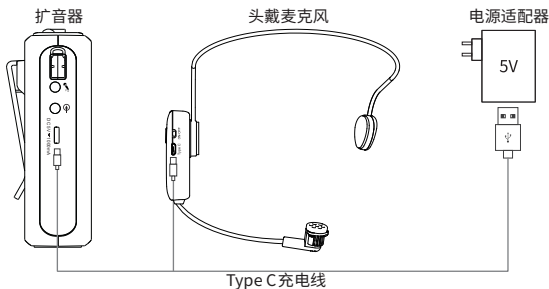
首次使用本机时，需要与手机或蓝牙设备配对连接，步骤如下：

①先打开扩音器电源开关，短按“M”键，当显示屏闪烁“bLUE”符号时，表示正在蓝牙搜索配对状态；

②进入手机的“设置”菜单，找到蓝牙功能选项，开启手机的蓝牙功能，待搜索到“TAKSTAR E300W”，点击“TAKSTAR E300W”进行连接，当扩音器语音提示“蓝牙已连接”，表示蓝牙连接成功；

③下次开机后选择到蓝牙模式下，会自动回连最后一次使用的蓝牙设备，并提示“蓝牙已连接”。

■ 充电示意



可连接移动电源、电脑USB或电源适配器进行充电；

注意：选用电源适配器规格：DC 5V=1000mA；

1.扩音器在开机状态下，显示屏不显示，说明扩音器没电；电量符号闪烁，说明扩音器电量不足；

2.头戴麦克风在开机状态下，蓝灯不亮，说明头戴麦克风没电，蓝灯快闪，说明头戴麦克风电量不足；

3.为扩音器充电时，扩音器电量符号长亮，表示正在充电中；电量符号消失，表示电已充满；

4.为头戴麦克风充电时，红灯长亮，表示正在充电中；红灯熄灭，表示电已充满；

5.使用5V直流电源充电，在充电电流1000mA的情况下，约2.5小时即可充满电；

当电池电量充满时，请停止对电池充电，避免电池过充；

提示：初次使用时，建议先充满电；如长时间不用，要每半年给扩音器及头戴麦克风充一次电，避免电池过放，对电池性能产生影响。

■ 注意事项

为避免电击、高温、着火、辐射、爆炸、机械危险以及使用不当等可能造成的人身伤害或财产损失，使用本产品前，请仔细阅读并遵守以下事项：

1. 使用产品时请确认所连接设备与本产品功率是否匹配以及合理调整音量大小，不要在超过产品功率及大音量下长时间使用，以免造成产品异常和听力损伤；
2. 使用中若发现有异常（如冒烟、异味等），请立即关闭电源开关并拔掉电源插头，然后将产品送经销商检修；
3. 本产品及配件都应放置在室内干燥通风处，勿长期存放在潮湿、灰尘多的环境，使用中避免靠近火源、雨淋、进水、过度碰撞、抛掷、振动本机及覆盖通风孔，以免损坏其功能；
4. 若产品需要固定于墙壁或天花板上时，请确保固定到位，防止因固定强度不足导致产品发生跌落危险；
5. 使用该产品时需遵守相关安全规定，法律法规明确禁止使用场合请勿使用本机，以免导致意外事故；
6. 请不要自行拆机改装或维修，以防止出现人身伤害，如有问题或服务需求请联系当地经销商跟进处理；

■ Preface

Dear Customer,

Thank you for purchasing Takstar E300W portable wireless amplifier. Please read the user manual carefully before operation and keep it for reference in future. If you have any question or suggestion, please contact our local dealer.

■ Features

1. The portable amplifier with playing function to suit for teaching, tour guide, training and promotion
2. UHF wireless transmission technology, operation range approximate 40m in open and non-interference area
3. Headset microphone has 40 channels and high/low power option available for selection. Use multiple amplifiers simultaneously without issue.
4. Compact headworn microphone for wearing in a long time
5. Rare earth material speaker, light weight, wonderful sound, high volume
6. Wireless playing function to link with cell phone/PC/PAD to play music
7. TF card for audio playing in MP3/WAV format
8. Recording function to record audio file in WAV format
9. FM function, automatically searching stations, saving more than 50 channels
10. High capacity Li-ion battery, lasts for around 13h operation time.

■ Product content

Amplifier.....	1pc
Headworn microphone.....	1pc
Charging cable.....	1pc
Shoulder strap.....	1pc
User manual.....	1pc

■ Application

Teaching, tour guide, training, promotion, propaganda, morning exercise, entertainment

■ Specification

Amplifier:

Frequency Response: 80Hz-12kHz

Peak Power: 10W

Speaker Impedance: 4Ω

UHF Frequency: 630MHz-890MHz
(frequency band)

UHF Operation Range: open area 40m

Media Playing: TF card, max 64G

Media Format: MP3, WAV

Battery Type: Li-ion battery

Battery Specification: 3.7V≡2500mAh

Charging: USB 5V≡1000mA

Charging Time: approximate 2.5h

Operation Time: around 13h

Net Weight: approximate 200g

Dimension: 113*84*44mm

Headworn microphone:

Cartridge: back electret

Polar Pattern: unidirectional

Frequency Response: 60Hz-16kHz

Sensitivity: -51 to -54dB
(0db=1V/Pa/m at 1kHz)

UHF Frequency: 630MHz-890MHz
(frequency band)

UHF Operation Range: open area 40m

Battery Type: Li-ion battery

Battery Capacity: 3.7V≡400mAh

Charging: USB 5V≡200mA

Charging Time: approximate 2.5h

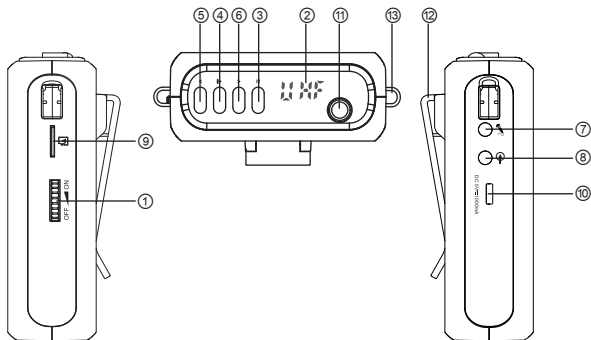
Operation Time: approximate 5h

Net Weight: approximate 39g

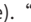
Note: The above data are tested by the Takstar laboratory and Takstar has the right of final interpretation.

■ Function

Amplifier



① Power switch: turn the power switch to ON direction. It sounds Da and the mode button LED flashes green slowly. This means the amplifier is turned on and enters into vocal reinforcement status. Turn the power switch to ON continuously to increase volume. Turn the power switch to OFF continuously to decrease volume. When it sounds Da, the amplifier is turned off.

② LED display: it displays operation mode and battery status: BLUE (Bluetooth mode), TF (TF mode), FM (FM mode), AUX (Aux mode). “” is the battery power symbol. If the battery power is sufficient, this symbol is not displayed. If the symbol flashes, this means the battery power is low. Please recharge in time. There is no operation after 15 minutes, it displays “— — —”, and this means the amplifier enters into standby status. Press any button to wake up.

③ The mode button: press this button to switch the operation mode and there is relative sound prompt. When connecting with AUX audio source or inserting TF card, the audio source input mode and TF card mode have the priority. When

disconnecting with AUX audio source or taking out TF card, it goes to the next operation mode. When inserting TF card or connecting with microphone, keep pressing this button and the amplifier goes into recording mode, and there is RECORDING MODE sound. During recording, the display shows “00: 00” with the number changing. Keep pressing this button to exit and save the recording. After recording, it plays the recording repeatedly.

④ “▶” Play/pause button: In Bluetooth and TF card mode, press this button to control play and pause, and in radio or audio source input mode, press this button to mute. When playing in Bluetooth mode, keep pressing this key to disconnect the Bluetooth connection, and voice prompt "Bluetooth disconnected", When playing music in TF card mode, keep pressing this button, it displays “(1)” to enter the single song repeat playing status. Keep pressing this button again, “(1)” disappears to exit the single song repeat playing. In radio mode, keep pressing this button to search station, meanwhile the frequency number changes. After searching station, it plays the first channel. The amplifier can save more than 50 channels.

⑤ “◀” The previous song key: In Bluetooth and TF card mode, press this button for previous song. In radio mode, press this button to the previous channel.

⑥ “▶” The next button: In Bluetooth and TF card mode, press this button for next song. In radio mode, press this button to the next channel.

⑦ “🎤” MIC input connector: connect the microphone with this connector to enter into vocal reinforcement status.

⑧ “🔌” AUX input connector: it connects with playing equipments via 3.5mm audio cable, e.g. cell phone, PAD, MP 3 via Ø3.5mm audio cable. The amplifier can be used as active speaker cabinet.

⑨ “📀” TF card port: insert the TF card according to the indicated direction. When there is the sound Da, the means the card in inserted fully. Press the

card to release the card.

Note: please make sure the media in TF card is MP3 or WAV format, otherwise the media can not be read or even it destroys the amplifier. Before copy the songs into TF card, format the card in FAT16 or FAT32 way. The other format, e.g. exFAT or NTFS will lead to that the recording can not be saved or the saved songs can not be played.

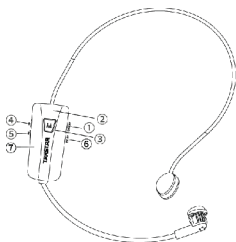
⑩Charging port: Use the Type-C cable to charge the amplifier.

⑪FM antenna: it is used to increase the FM signal. Pull the antenna out for better effect.

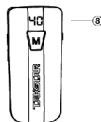
⑫Shoulder strap buckle: it is used to assemble the shoulder strap to wear the amplifier on shoulder.

⑬Waist strap clip: it is used to assemble the waist strap to wear the amplifier on waist.

Headworn microphone:



Headset microphone



Display screen

- ① Power switch: The microphone is turned on when the switch is in the ON position, and the microphone is turned off when the switch is in the OFF position.
- ② Display screen: Display working channel and microphone volume.
- ③ M button: Used for frequency matching. Refer to the "Frequency matching methods" for details.
- ④ + button: Press it to increase the volume of the microphone. In the matching state, press it to switch to the previous channel, and long press it to quickly switch channels.
- ⑤ - button: Press it to decrease the volume of the microphone. In the matching state, press it to switch to the next channel, and long press it to quickly switch channels.
- ⑥ Charging interface: Use the Type-C cable to charge the wireless headset mic.
- ⑦ Power Indicator: off when device is powered off without charging; solid blue when powered on and power is not low; flashes red when power is low; solid red while charging and turns off when fully charged.
- ⑧ Working channel/microphone volume: The current working channel is displayed by default, and there are totally 40 working channels "01-40". When you press the volume+ and - buttons, the volume is displayed and returns to normal value after 3 seconds; there are totally 9 levels of volume "U1-U9". After 10 seconds without any operation, the display screen will automatically go out.
- ⑨ High/Low Power Switch: press both [M] and [-] buttons at the same time to switch to low power, or both [M] and [+] to switch to high power (Use distance is around 10m when set to low power, or around 40m when set to high power).

■ Operation

A. Frequency Matching

1. Matching steps

It has the factory setting. If there is no interference, do not matching frequency or change frequency.

① Power on the headset mic, wait until the screen shows channel status. Long press micM button for 5s until a circle appears on the screen. Then immediately power on the amplifier and wait until the circle on mic screen changes to channel number. Speak to the mic to test. If your voice is amplified, the devices are paired successfully.

② Speak to the microphone but no sound. This means the matching is not successful. Match again.

2. Changing Frequency

Power up both the amplifier and the headset mic. Press M button on mic, and the screen should flicker. Then press or long press volume +/- button to change frequency gradually/rapidly, and the display will show respective frequency channel changes.

3. Multiple units used at the same time

① Use the first matching method to link and then change frequency.

② Make sure to use different channel on each device to avoid interference.

B. Bluetooth Matching

For the first time operation, you need to match the bluetooth of cell phone or other equipment according to the steps below:

1. Turn on the power switch of the amplifier and press the M button. When the display shows "bLUE" and the sound prompts "Bluetooth mode".

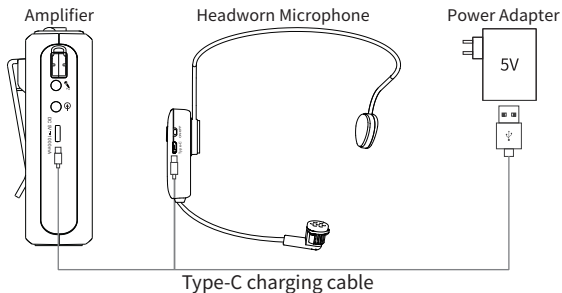
This means the Bluetooth matching status.

2. Enter into the cell phone setting menu and turn on the Bluetooth function, and then search TAKSTAR E300W. Click TAKSTAR E300W for connection. The

sound prompts Bluetooth Connected. This means the Bluetooth is connected successfully.

3. When turning on the amplifier next time and select Bluetooth mode, it automatically links with the last connected Bluetooth equipment, and it sounds Bluetooth Connected. seconds, then three times of the third microphone, etc, operate the microphone one by one.

Charging diagram



Micro USB charging cable can be used to connect with power bank, PC or power adapter for charging.

Note: power adapter specification: DC 5V/1000mA;

1. Turn on the amplifier, display shows nothing. This means the power supply is used up. The power symbol flashes means low power supply.

2. Turn the microphone, the blue LED does not light up means no power supply. The blue LED flashes quickly means low power supply.

3. When charging the amplifier, the power symbol keeps lighting up means charging. The power symbol disappears means charging fully.

4. Charging the microphone, red LED keeps lighting up means charging. LED lights off means charging fully.

5. When 5V DC is used, it takes 2.5 hours to charge 1000mA fully. Please stop charging to avoid battery damaged.

Note: for the first time operation, it is suggested that the battery should be charged first. If it will not be used for a long time, it should be charged once every six months to avoid battery overdischarge, which will affect battery performance.

■ Caution

To avoid electric shock, over temperature, catching fire, explosion, mechanical risk and hurt or property loss caused by improper use, please read the following items carefully before operation:

1. Before operation please make sure the amplifier power matches with that of the connected equipment. Adjust the volume to proper level during operation. Do not operate at high volume level to avoid hearing loss.
2. If abnormal phenomenon (smoke, abnormal smell) happens, please turn off the power switch and disconnect the power plug with power socket, and send the product to local dealer for maintenance.
3. The product and accessories should be put in dry and ventilated place rather than humid or dusty environment. Prevent the product from liquid, rain, water, over-colliding, throwing, vibrating, vent hole covered to avoid function destroyed.
4. When the product needs to be installed on wall or ceiling, please fix it tightly to avoid dropping risk.
5. Please abide by safety rules during operation. Do not use the product in the place prohibited by regulation or law to avoid accident.
6. Do not disassemble or repair the product by yourself to avoid hurt. If you have question or need service, please contact the local dealer.

产品服务保证书

姓名：_____ 电话：_____ 地址：_____

商品：_____ 型号：_____ 购买日期：_____ 年 ___ 月 ___ 日

维修记录栏(由维修员填写)

维修记录栏(由维修员填写)	维修员签名	日期

注意事项：

1. 本单为保修凭证，请用户妥善保管，如有遗失，恕不保修或退换。
2. 保修期限制：购买之日起十二个月内。
3. 除了不可抗力事件损坏外，由本公司负责，免费维修。
4. 如属保管不善或使用不当造成的损坏，维修点将酌情收费。
5. 擅自拆卸维修者，不予保修。
6. 以上保修条款仅限于中国市场适用（不含港澳台地区）。



扫一扫，了解更多产品
Scan for more
product information

广东省电声工程技术研究开发中心 广东得胜电子有限公司制造

地址：广东省惠州市博罗县龙溪街道富康一路2号

服务热线：400 6828 333 传真：0752 6383950

邮箱：xs@takstar.com

网址：www.takstar.com

Guangdong Takstar Electronic Co., Ltd.

Address: No. 2 Fu Kang Yi Rd., Longxi Boluo

Huizhou, Guangdong 516121 China

Tel: 86 752 6383644 Fax: 86 752 6383952

Email: sales@takstar.com

Website: www.takstar.com

GB 8898-2011
9TE300WS1D